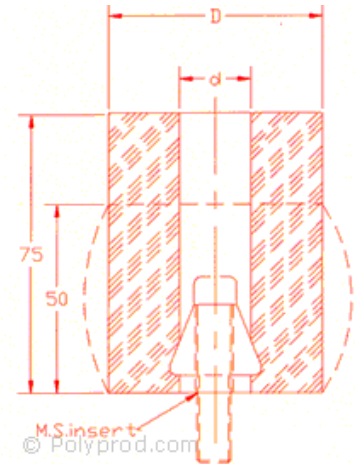


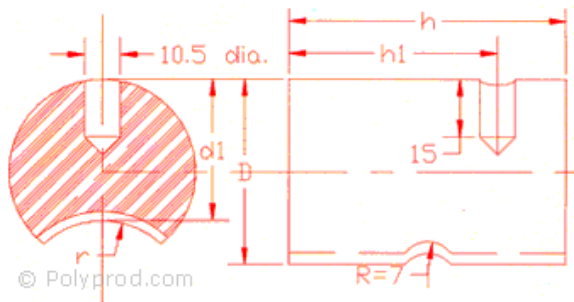
GMGDS Compressible Storage Blocks

GMGDS Code No.	Block Dia. D	Hole Dia. d	Length L	Force to deflect 25mm
90.20.05-63	63	21	75	2 mt
90.20.05-80	80	21	75	5 mt
90.20.05-100	100	21	75	8 mt
90.20.05-125	125	27	75	10 mt
90.20.05-140	140	27	75	14 mt



GMGDS Retaining Pin Energy Absorbers

GMGDS CODE	Dia. D	Height h	h1	d1	radius r	Retaining p in dia.
90.30.45-40	40	60	45	32	18	32
90.30.45-50	50	80	60	40	23	40
90.30.45-63	63	80	60	51	35	50,56,63



GMGDS Compressible STORAGE BLOCKS

PART NO.	TONS	A	B
M-1443	5	89.0	114.0
M-1444	8	114.0	140.0

