

To illustrate the versatility of this unique SMART PAD SYSTEM, we are using 5 different punches from 3/4"R (18mm R) to 8"R (200 mm R) to bend 1/8" thick (3mm) polished Aluminum into 5 different radii, using the same bottom die... There is no other tooling system that can be as versatile and produce such high quality mar-free products. We've designed & built hundreds of punches & dies over the last 30 years.

SMP620N Smart Pad System™:

Designed to bend any radius from 1/2" (12mm) to 2" (50mm), 90° in one hit or bump form any radiused shape.

Limitations :

Maximum punch width = 3" (75mm)

Maximum depth of punch penetration = 1-1/4" (32mm)

Minimum radius = 1/2" (12mm)

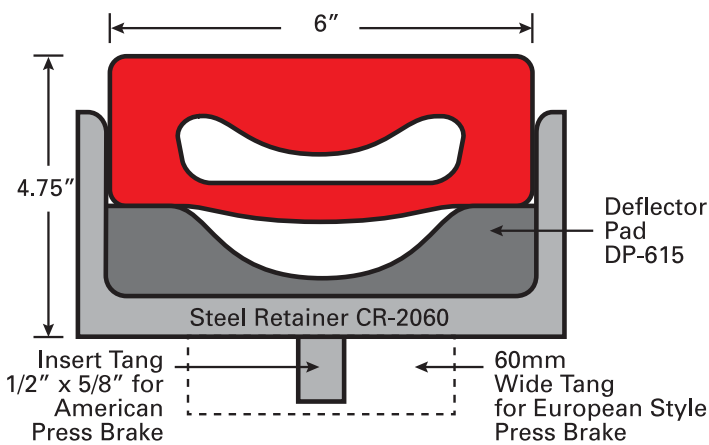
Minimum punch width = 1-1/2" (38mm)

Bending Capacity:

Minimum radius = 1" (25mm), 10 ga. (3mm) M.S.

Minimum distance to start of radius bend = 1" (25mm)

Wear pad is made one grade harder than the main pad & is replaceable.



	Min R	Min R	Bump Form
SMP 640	1/2" R 	2" R 	Any Radius